

S0-S3 : MIDI CHANEL  
S4-S7 : MODE

MIDI VOL  
Norbert BRAUN

Back Light

CONT

MIDI IN

MIDI OUT

DC IN (9V)

IN  
OUT  
COM

S0-S3 : MIDI CHANEL  
S4-S7 : MODE

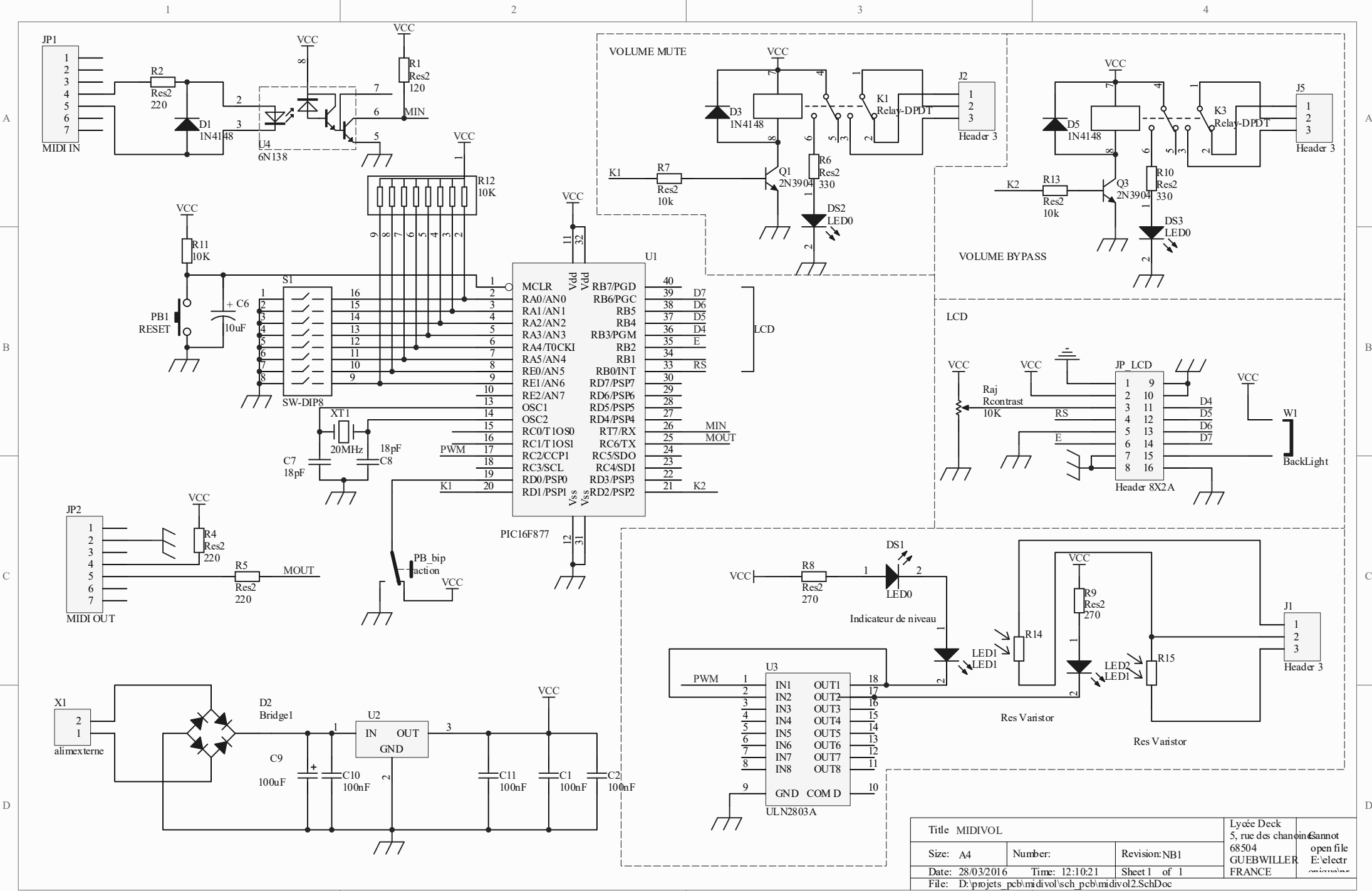
RESET

SW2 LED BYPASS

SW1 LED MUTE

Action BP

a k  
Led Niveau



Title MIDIVOL			Lycée Deck	
Size: A4	Number:	Revision: NB1	5, rue des chanoines	
Date: 28/03/2016	Time: 12:10:21	Sheet 1 of 1	68504	Cannot
File: D:\projets_pcb\midivol\sch\pcb\midivol2.SchDoc			GUEBWILLER	open file
			FRANCE	E:electr